

HA Tablemount FS Triple Free standing Desktop Monitor Mount

Item no.: 8710

The HA Tablemount FS Triple is a tiltable, swivelling and height-adjustable desktop monitor mount for three monitors between 15 and 27" | 38 - 68 cm, which is also suitable for wide or curved screens.

The included VESA universal mount supports the VESA standards 75 x 75 and 100 x 100 mm.

The monitor can be installed in portrait or landscape format. The format can be changes from landscape to portrait and vice versa at any time.

The screen can be tilted $\pm 45^\circ$ and swiveled $\pm 45^\circ$. The height can be varied between 100 and 466 mm via tools.

Cables can be laid neatly and space-saving in rear clamps.

The surface is finished with an impact- and scratch-resistant powder coating in black.

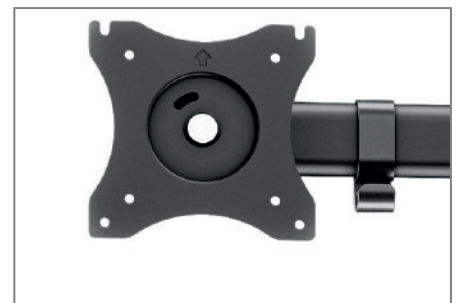
The max. load is 8 kg per VESA holder.



very carefree thanks to impact- and scratch-resistant powder coating in black



cable routing via cable clips



VESA 75 x 75 and 100 x 100 mm

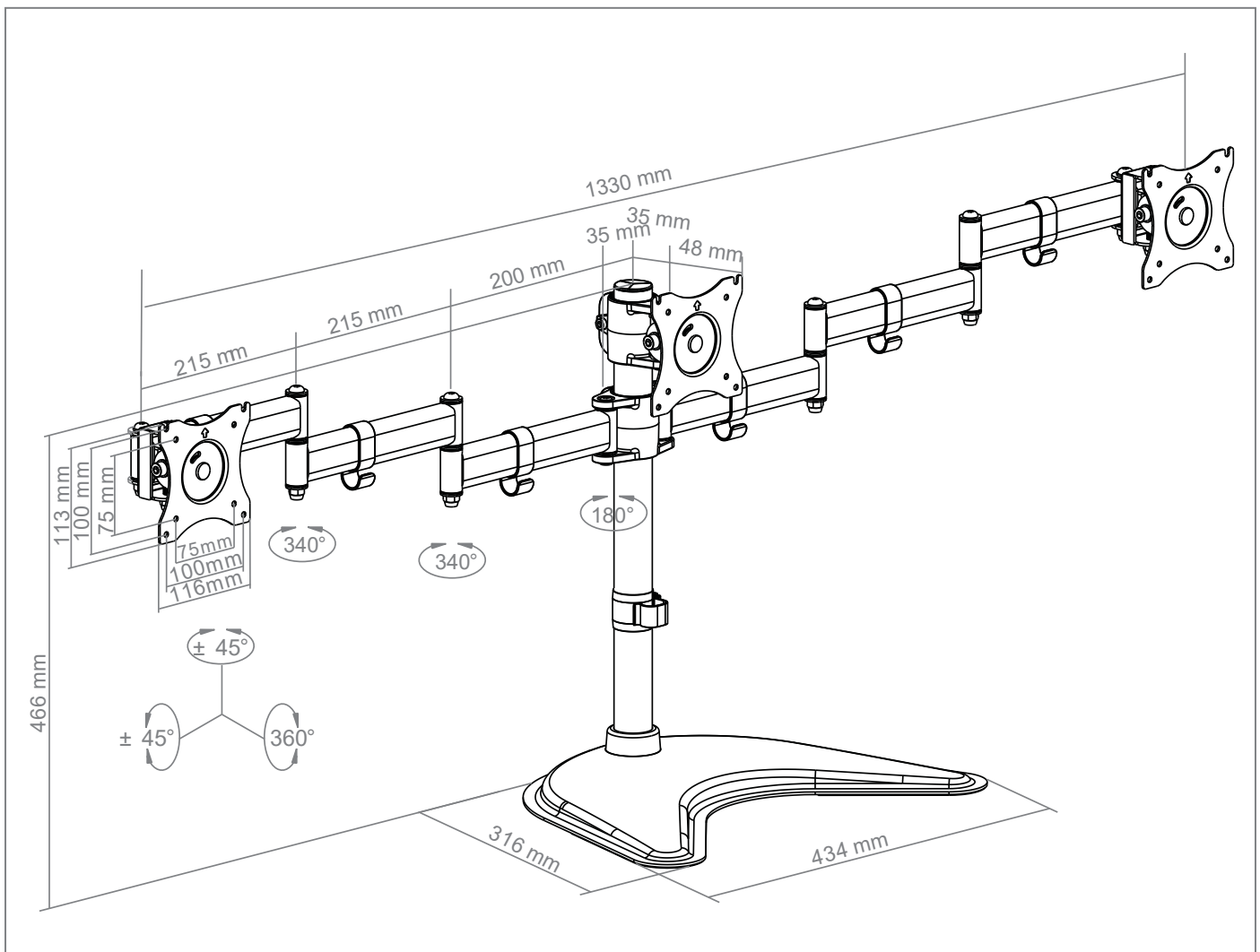
Technical changes reserved

HA Tablemount FS Triple

Free standing Desktop Monitor Mount

Item no.: 8710

- for three monitors from 15 - 27" | 38 - 68 cm
- portrait or landscape format possible, changeable from landscape to portrait and vice versa at any time without additional installation effort
- incl. VESA mount - 75 x 75 and 100 x 100 mm
- height adjustable 100 - 466 mm (tool needed)
- $\pm 45^\circ$ tiltable
- $\pm 45^\circ$ swivelling (only the two outer screens)
- $\pm 180^\circ$ rotatable
- impact- and scratch-resistant powder coating
- colour: black
- 3x 8 kg max. load
- incl. cable management, fixing via cable clips
- tilt-resistant design foot



Technical changes reserved